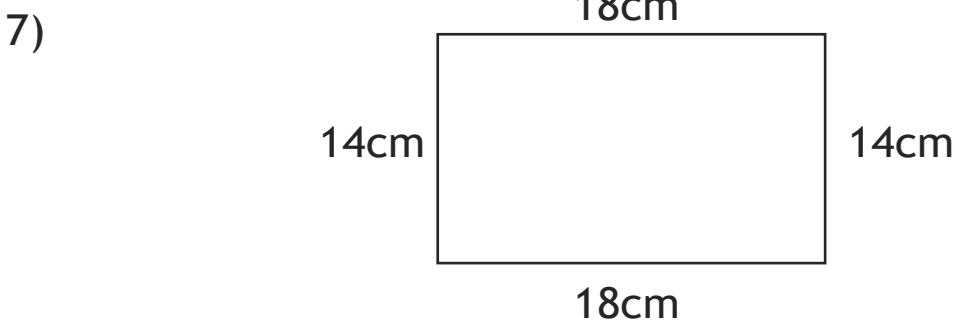
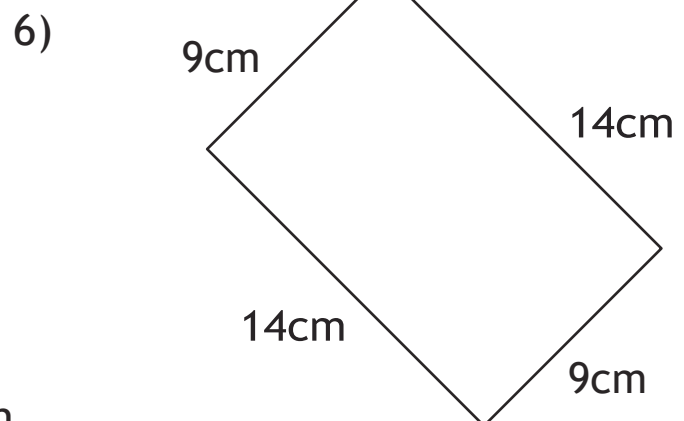
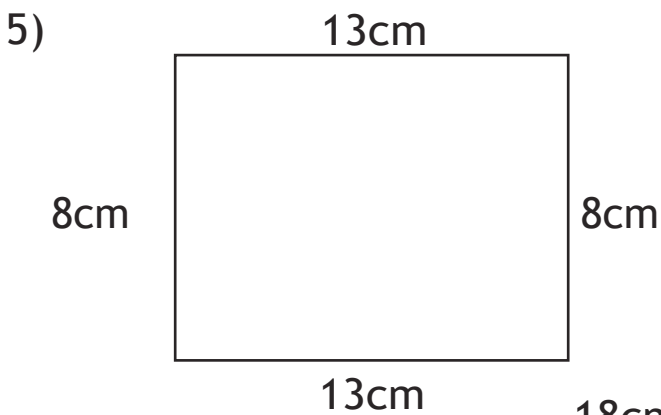
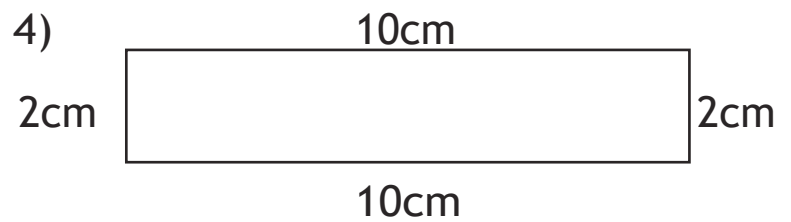
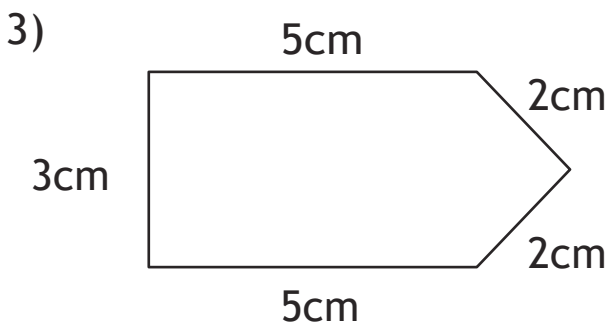
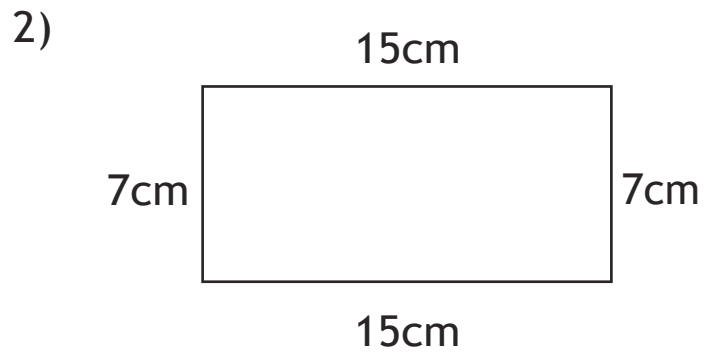
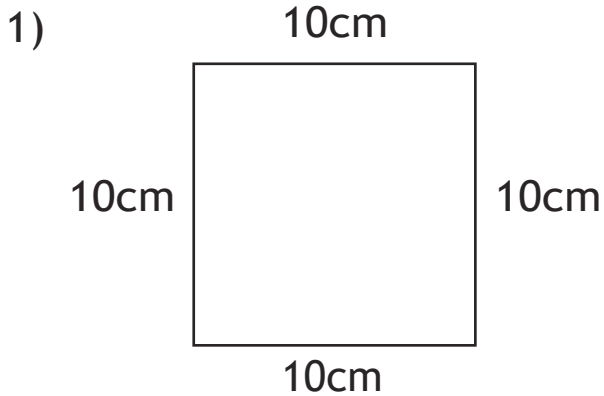


Perimeter

I am learning to calculate the perimeter of shapes.

Please watch this link to revise how to calculate perimeter:
<https://www.bbc.co.uk/bitesize/topics/zvmxsbk/articles/zsr4k7h>

Now calculate the perimeter of each of these shapes. Always check the units of measure and remember that these drawings are not to scale!



Perimeter Answers

I am learning to calculate the perimeter of shapes.

